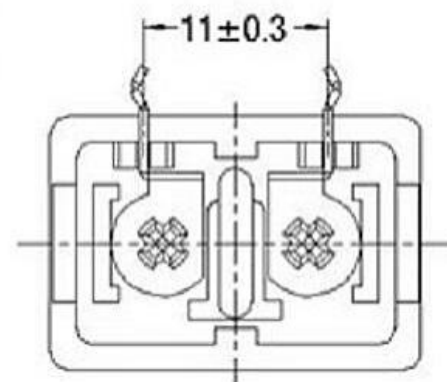


SECTION: A-A



SPEC:

A. Material:

1. Housing: PBT

2. Terminal: COPPER ALLOY, TIN PLATED

B. Electrical Characteristics:

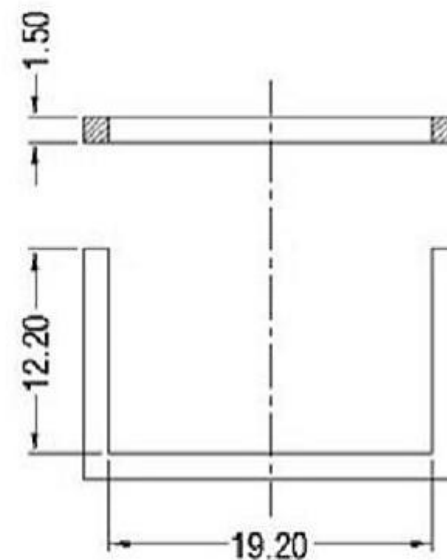
1. Rating: 2.5A 250V~ (UL, CUL, CCC, VDE, SEMKO, NEMKO, FIMKO, DEMKO)

2. Electric Strength: AC 2,000 V FOR ONE MINUTE

3. Insulation Resistance: 100MΩ MIN, AT 500V DC

C. Approvals:

UL, CUL, CCC, VDE, SEMKO, NEMKO, FIMKO, DEMKO



PANEL CUT-OUT

普通公差

COMMON TOLERANCE:

| | |
|---------------|-------|
| UP TO 5 | ±0.20 |
| ABOVE 5 TO 30 | ±0.30 |
| ABOVE 30 | ±0.50 |
| ANGULAR | ±5° |



东莞市高迪电子有限公司

| | | | | | | | | | |
|------|------|----------------------|-------|----------------|----------|-------------------|--|--------------------|---------------|
| REV. | DATE | REVISION DESCRIPTION | ISSUE | 单位 UNIT | mm | 投影 PROJECTED | | 品名 PRODUCT NAME | AC POWER JACK |
| | | | | 绘图 DRAWN BY | 林晓良 | 核对 CHECKED BY | | 型号 MODEL NO. | |
| | | | | 日期 DATE | 19.08.12 | 核准 APPROVAL BY | | 料号 PART NO. | KD-AC电源插座 |